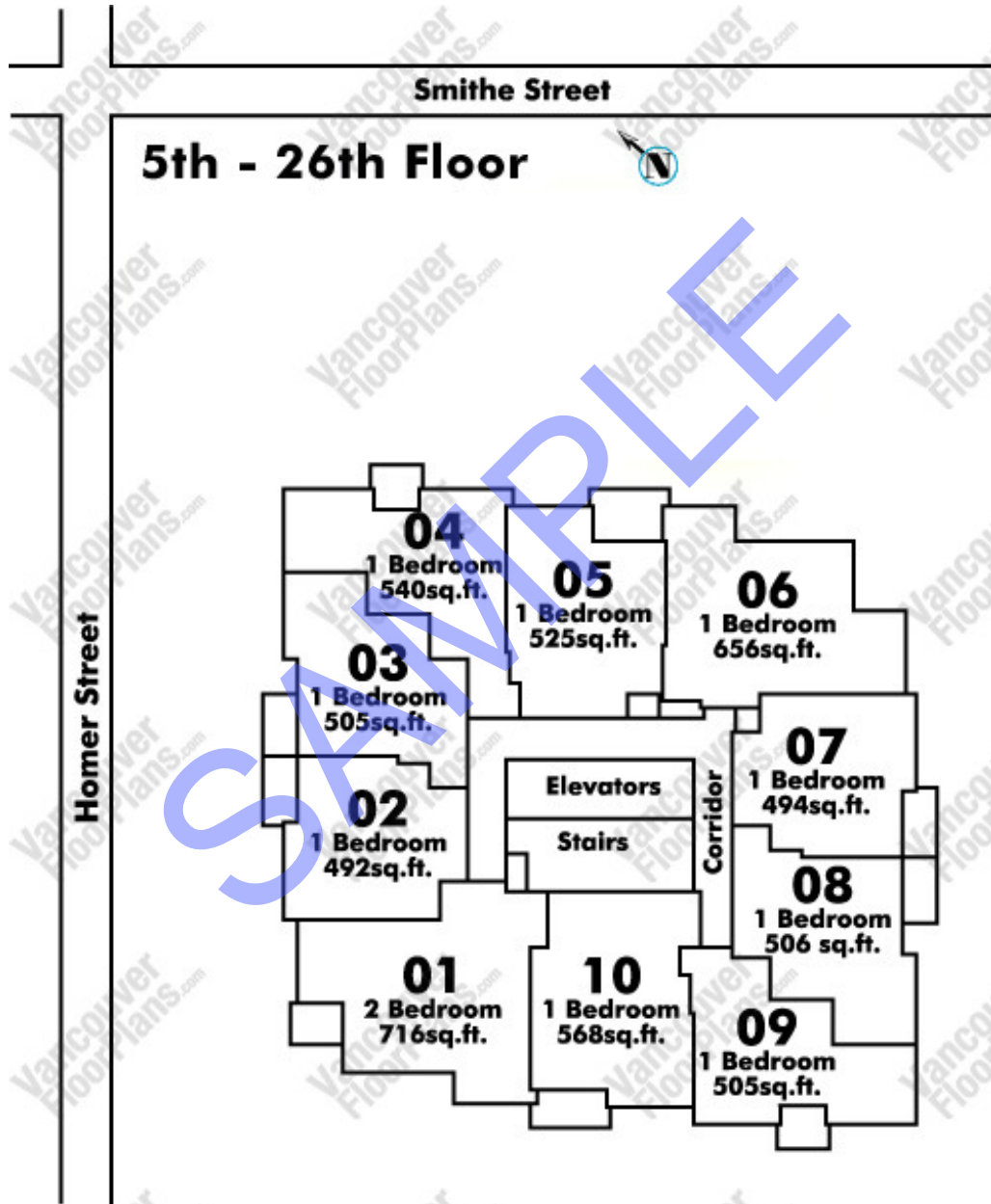


# Yaletown Park I

928 Homer, Vancouver, BC, V6B 2W7

Floor: 5



Copyright 2000 - 2009

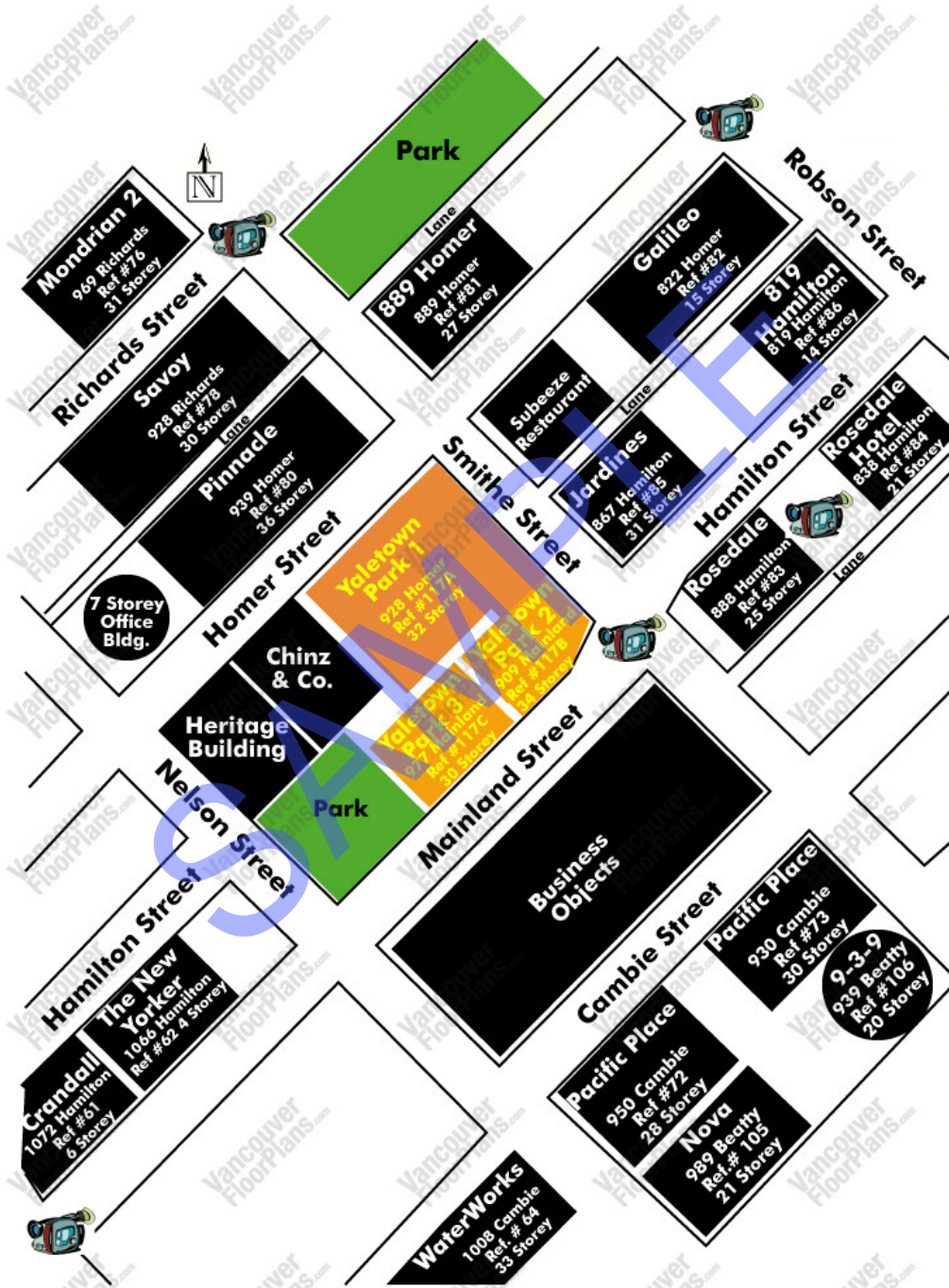
[vancouverfloorplans.com](http://vancouverfloorplans.com)

E/O All information including floor plans, floor plates, maps & suite numbers & s/f are gathered from different sources and is believed to be accurate as possible but not guaranteed. If important, reader of this information to verify it against the attached registered strata plan.

# Yaletown Park I

928 Homer, Vancouver, BC, V6B 2W7

Floor: 5



Copyright 2000 - 2009

[vancouverfloorplans.com](http://vancouverfloorplans.com)

E/O All information including floor plans, floor plates, maps & suite numbers & s/f are gathered from different sources and is believed to be accurate as possible but not guaranteed. If important, reader of this information to verify it against the attached registered strata plan.

# Yaletown Park I

928 Homer, Vancouver, BC, V6B 2W7

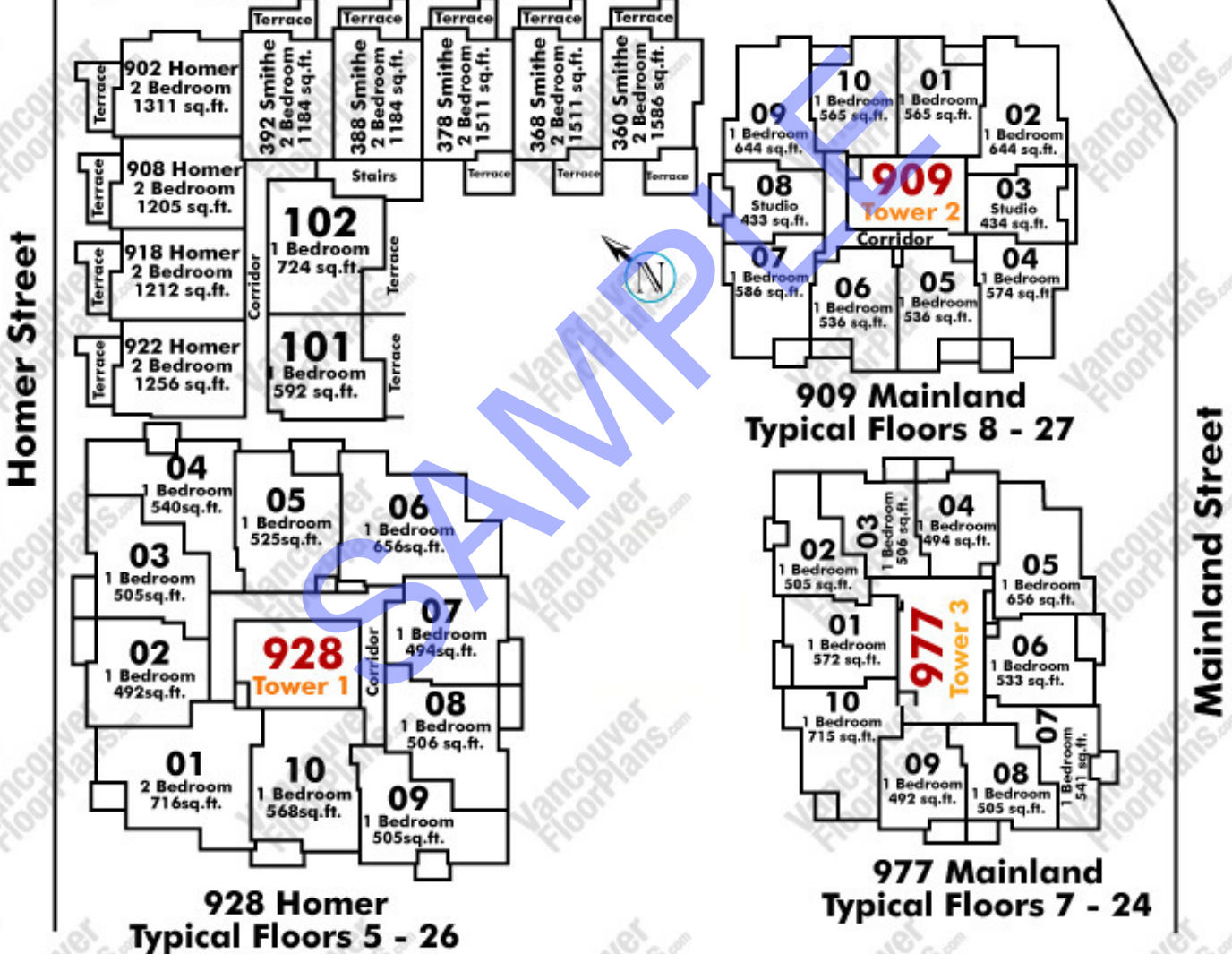
Floor: 5



## Yaletown Park

### Smithe Street

#### Townhouses 1st - 3rd Floor



Copyright 2000 - 2009

[vancouverfloorplans.com](http://vancouverfloorplans.com)

E/O All information including floor plans, floor plates, maps & suite numbers & s/f are gathered from different sources and is believed to be accurate as possible but not guaranteed. If important, reader of this information to verify it against the attached registered strata plan.





## Vancouver Floor Plan Disclaimer

Attached Info is Compliments of [vancouverfloorplans.com](http://vancouverfloorplans.com) (website) - [info@vancouverfloorplans.com](mailto:info@vancouverfloorplans.com) (Email Info) - 604-671-7000 Copyright © 2000 to present. All Rights Reserved.

E/O - These images may not be copied, distributed, altered or used in any manner not provided for herein without purchasing a license or obtaining written permission from [vancouverfloorplans.com](http://vancouverfloorplans.com) or the [copyright](#) owner. You may not publish or use an image from this site without purchasing a monthly license or purchasing an individual floor plan from [vancouverfloorplans.com](http://vancouverfloorplans.com). This includes but is not limited to; free sites, personal sites, and not-for-profit sites. Once purchased, you may use one image at a time for personal promotions IE: for rental of a unit or for a sale of one unit. You may not download all the Floorplans & Floor plates & post them on the internet - this material is copyrighted. All information including floor plans, floor plates, suite square footages, floor areas, maps & suite numbers are gathered from different sources and are believed to be as accurate as possible but are not guaranteed. Neither the Webmaster nor [vancouverfloorplans.com](http://vancouverfloorplans.com) are liable for any errors or omissions in this info sheet. All floor plans are a representation of the actual floor plans that came from the Developers Brochures and/or the Developers Disclosure Statement. All developers' original materials were subject to change without notice. If it is important to have the actual square footage & actual location of any suite, please verify with the attached registered strata plan. The onus is on the reader of this material to verify the accuracy of the content.

## Website Disclaimer

Please Note: The First paragraph above is a larger version of the disclaimer that appears on all website pages.

E/O - The enclosed information, while believed to be correct, is not guaranteed. All information including floor plans, floor plates, strata plans, sales history, maps & suite numbers are gathered from many different sources and are believed to be accurate as possible but not guaranteed. The Webmaster / Vancouver Floorplan are not held liable for any errors or omissions in this info sheet. The reader of this material to verify the accuracy of the content.

\* [vancouverfloorplans.com](http://vancouverfloorplans.com), And/or - Re/Max Crest Realty (Westside) provides no warranty regarding the quality, accuracy, or validity of any information contained within the pages of this website. All information may be changed or updated without notice and should be independently verified. This website does not constitute an offer or contract. \* Vancouverfloorplans makes no representation whatsoever about other websites which you may access through this website.

When you access a non vancouverfloorplans website, please understand that it is independent from Vancouverfloorplans, and that we have no control over the content of that website. In addition, a link to a non Vancouver Floorplan website does not mean that Vancouver Floorplan endorses or accepts any responsibility for the content, use, or products and services made available through such website.

In no event will vancouverfloorplans be liable to any party for any direct, indirect, special or other consequential damages for any use of this website, or any other hyperlinked website, including, without limitation, any lost profits, business interruption, loss of programs or other data or otherwise, even if we are expressly advised of the possibility of such damages. Information on this website is provided "As-Is" without warranty of any kind, either expressed or implied, including, but not limited to, the implied warranties of merchantability, fitness for a particular purpose, or non-infringement.

Some jurisdictions do not allow the exclusions of implied warranties, so the above exclusion may not apply to you.

[vancouverfloorplans.com](http://vancouverfloorplans.com)  
[info@vancouverfloorplans.com](mailto:info@vancouverfloorplans.com)